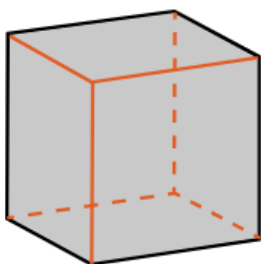




Year 2 Worksheet 10: Geometry 3D Shapes

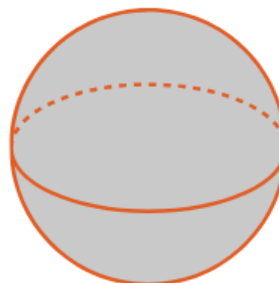
Solid Figures



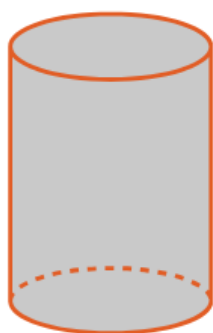
Cube



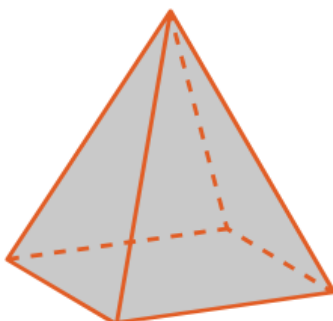
Rectangular
Prsim



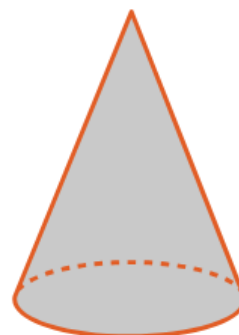
Sphere



Cylinder



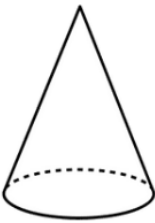
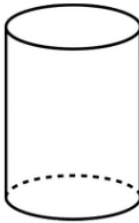
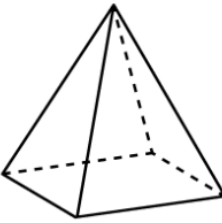
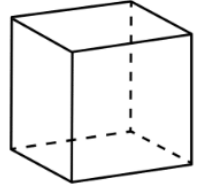
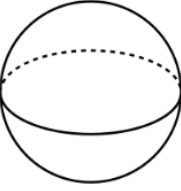
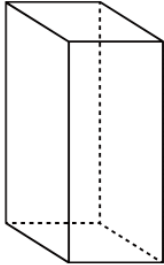
Pyramid



Cone



Question 1: Write the name for each shape:

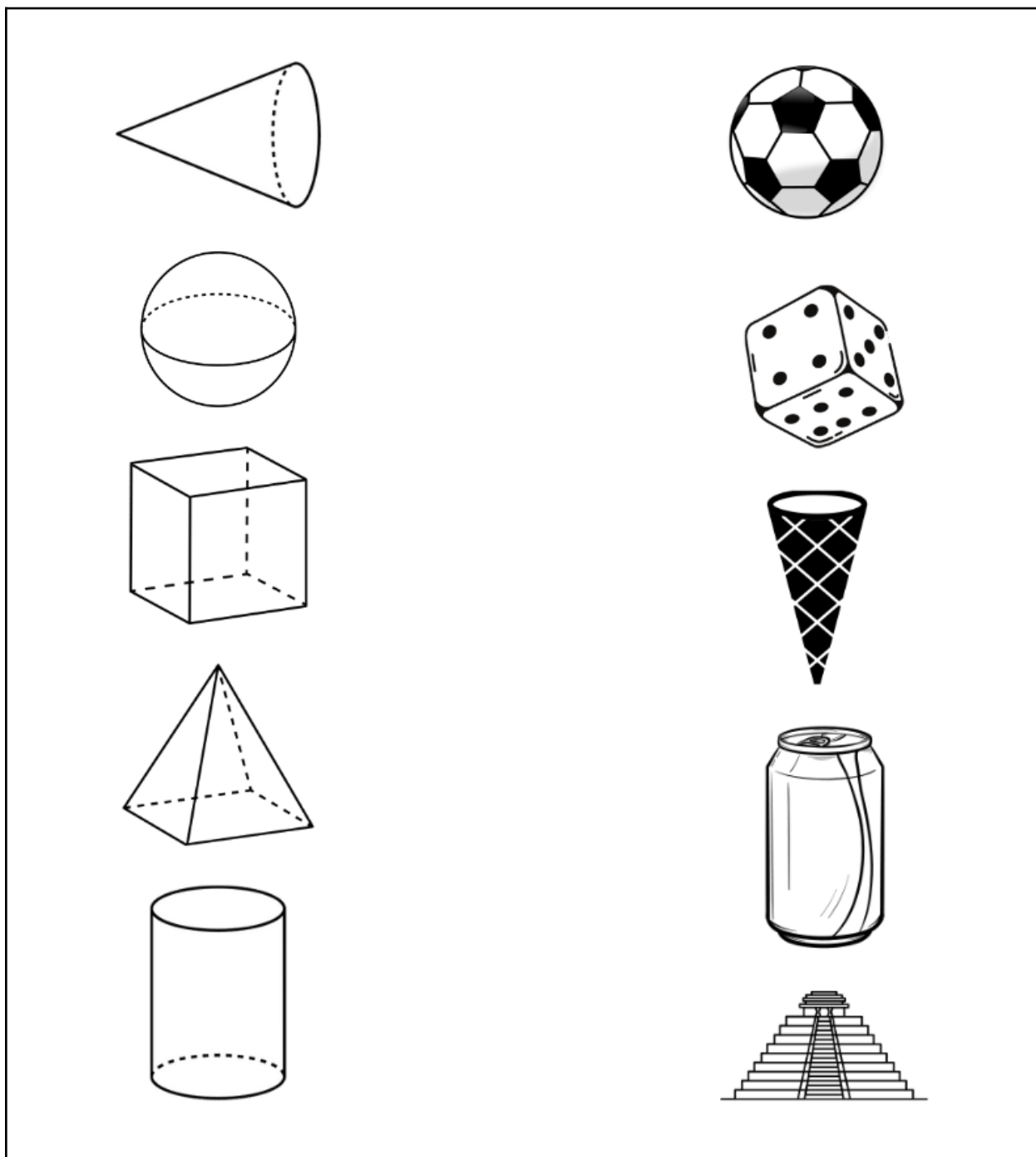
 _____	 _____	 _____
 _____	 _____	 _____

Question 2: Identify the solid figure represented by the following.

1.  - _____	6.  - _____
2.  - _____	7.  - _____
3.  - _____	8.  - _____
4.  - _____	9.  - _____
5.  - _____	10.  - _____



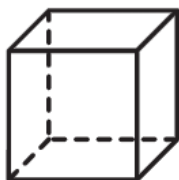
Question 3: Join the matching 3D shapes.



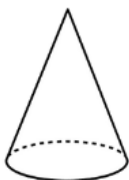


Question 4: Imagine you are an architect, designing the King and Queen's new castle.

Using the 3D shapes, draw your design of a castle inside the box below.
Make use of the shapes as much and as many as you can.



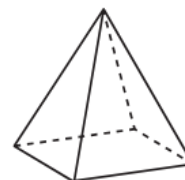
cube



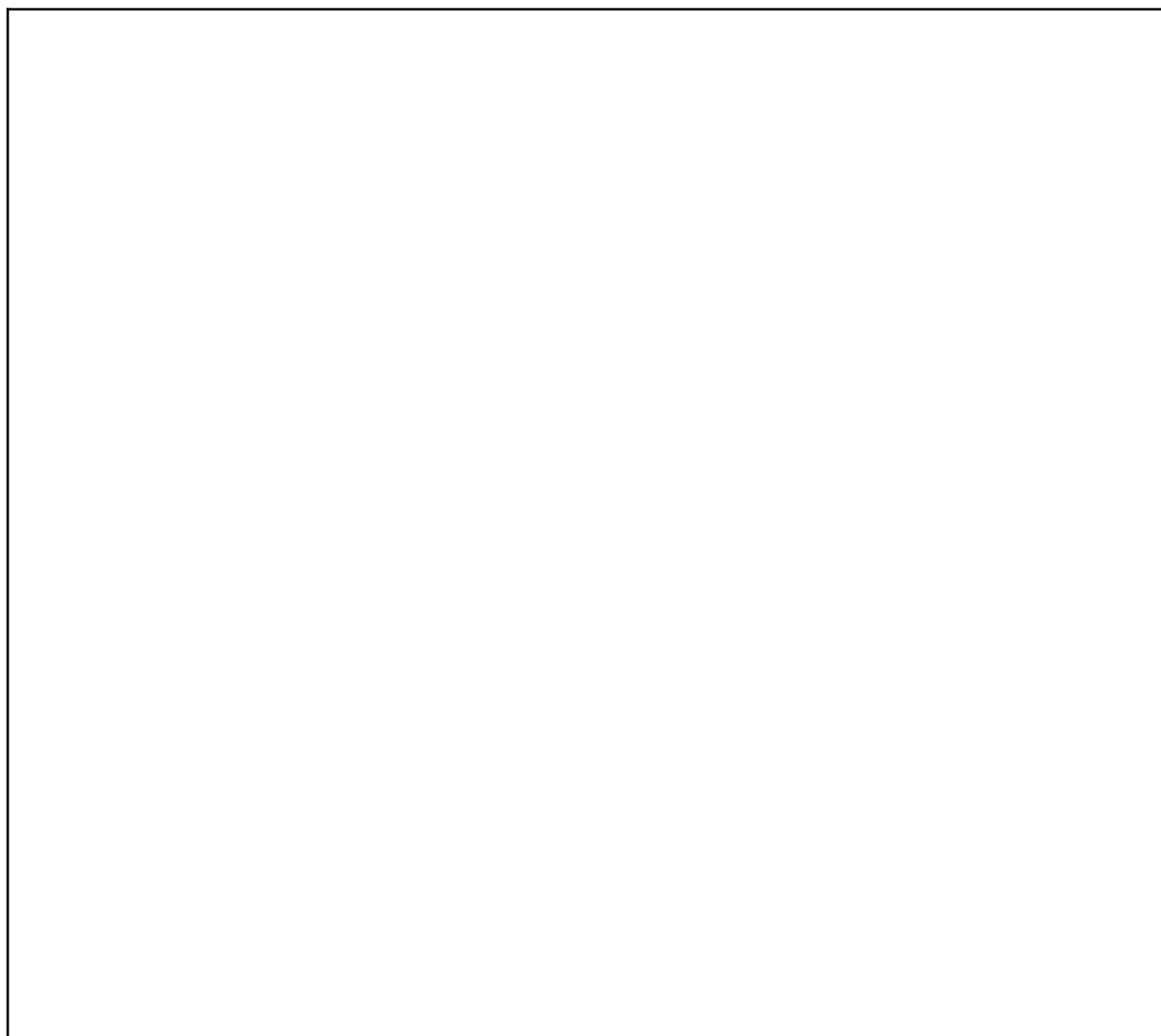
cone



cylinder



pyramid





Personalised English & Math Tutoring

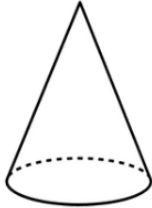
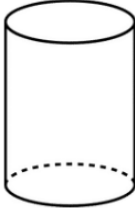
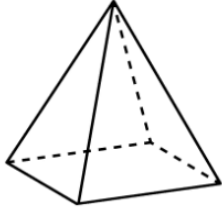
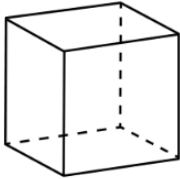
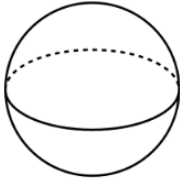

Redeem Free Assessment















Answer Key

Question 1: Write the name for each shape:

 • Cone: _____	 • Cylinder: _____	 • Square pyramid _____
 • Cube: _____	 • Sphere: _____	 • Rectangular prism: _____

Question 2: Identify the solid figure represented by the following.

1.  - <u>Sphere</u>	6.  - <u>Cube</u>
2.  - <u>Pyramid</u>	7.  - <u>Cylinder</u>
3.  - <u>Rectangular Prism</u>	8.  - <u>Sphere</u>
4.  - <u>Cylinder</u>	9.  - <u>Cone</u>
5.  - <u>Cube</u>	10.  - <u>Rectangular Prism</u>



Question 3: Join the matching 3D shapes.

